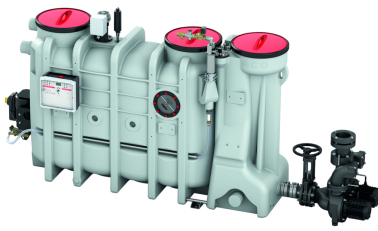


**LipuSmart-P-OA Extension stage 3**

**Product information for the product group**



**ACO Product benefits**

- Integrated backflow protection
- Only one vent stack necessary
- Compact installation dimensions: The pump technology can be flexibly installed on 3 sides
- Innovative overall system control via integration in the building control technology
- 4in1 – complete solution
- Optional Modbus connection
- Structural stability of the container with 25-year stability verification according to German Standard DIN 19901

- Program-controlled, odour-free disposal and cleaning by means of direct suction and hydromechanical internal cleaning
- Disposal connection DN 65, mating flange with Storz coupling 75B and blind connector 2½"
- Fill unit with solenoid valve
- Bluetooth interface (LipuSmart App/Android)

**Item Technical Data 3555.76.32**

Nominal capacity	Nominal width	Contents			Key data			Weight		Operation side
		Sludge trap [l]	Grease store [l]	Overall [l]	Type	P2 [kW]	To [l]	Empty [kg]	Full [kg]	
NS 5.5	DN 150	725	360	1430	Pumpenset 4,0kW	4	235	363	1793	Left-hand



The LipuSmart pump technology can be flexibly **mounted on 3 sides** of the container.

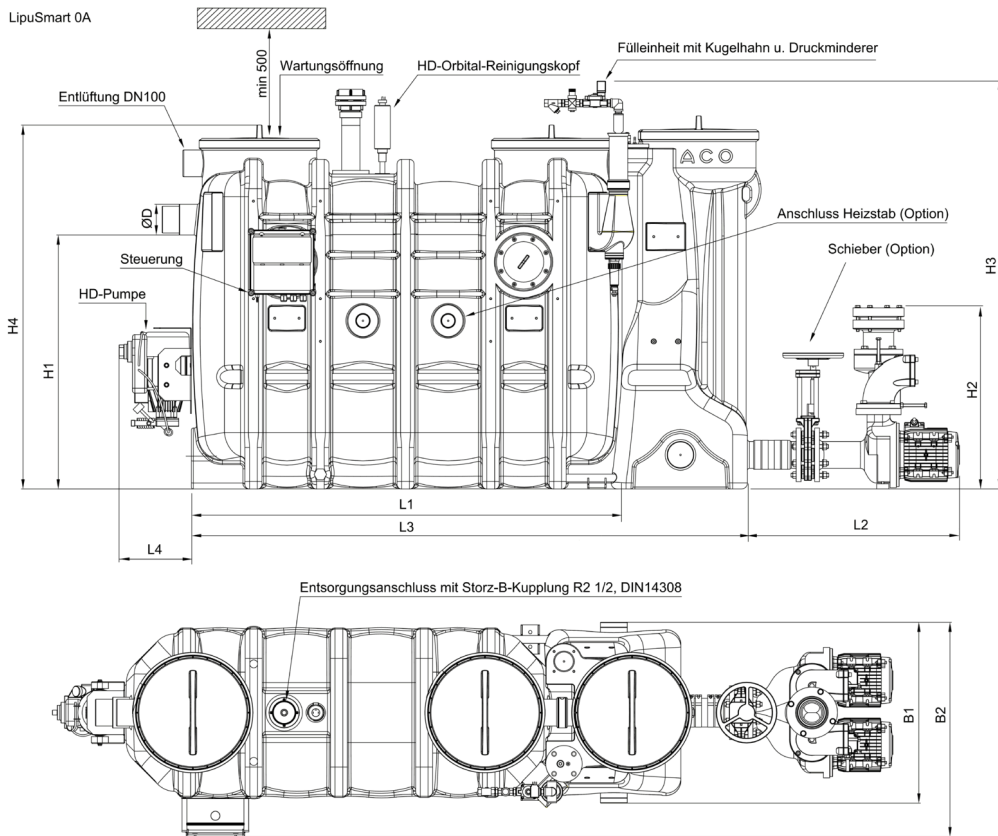
For more information please visit: <https://www.buildingdrainage.aco/products>

Excluding errors and changes.

Infobox

Item number: 3555.76.32  
Version: 25.10.2019  
Page 1 of 4

**Dimensions**



dargestellt:  
 NS 4, Bedienungsseite rechts,  
 bei Bedienungsseite links sind die Bauteile  
 (Entsorgungsanschluss, Füllereinheit,  
 Schauglas, Steuerung) zur Mittelachse des  
 Abscheiders spiegelbildlich angeordnet.

Nomi- nal ca- pacity	Dimensions												
	L1	L2	L3	L4	L5	H1	H2	H3	H4	W1	W2	B3	D
	[mm]	[mm]	[mm]	[mm]	[mm]	[mm]	[mm]	[mm]	[mm]	[mm]	[mm]	[mm]	[mm]
NS 5.5	1760	830	2287	300	680	1250	753	1880	1700	960	1130	1180	160



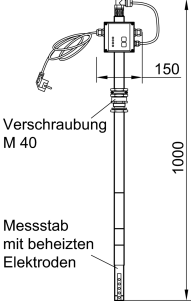
The LipuSmart pump technology can be flexibly **mounted on 3 sides** of the container.

For more information please visit: <https://www.buildingdrainage.aco/products>

Excluding errors and changes.

Infobox

Accessories

	Description	Used with	Description	Item number
	Grease layer thickness measuring device	<ul style="list-style-type: none"> <li>■ LipuJet-P                             <ul style="list-style-type: none"> <li>□ Oval NS 1 – 10</li> <li>□ Round NS 2 – 20</li> </ul> </li> <li>■ LipuJet-S                             <ul style="list-style-type: none"> <li>□ Oval NS 1 – 10</li> <li>□ Round NS 2 – 20</li> </ul> </li> <li>■ LipuSmart-P                             <ul style="list-style-type: none"> <li>□ Oval NS 1 – 10</li> </ul> </li> </ul>	<ul style="list-style-type: none"> <li>■ For electronic measurement of layer of grease</li> <li>■ Suitable for liquid and/or congealing grease</li> <li>■ Measuring device with plug and used connecting cable, length: 3 m</li> <li>■ With two voltage-free changeover contacts to display full warning (80%) and advance warning of fill level (50%)</li> <li>■ With visual display of fill level</li> <li>■ With heated probe rod to increase reliability of operation</li> <li>■ Operating voltage: 230VAC/5 VA</li> <li>■ Max consumption approx. 12W</li> <li>■ Weight: 2.8 kg</li> </ul>	<b>3300.11.50</b>
	Heating rod	<ul style="list-style-type: none"> <li>■ LipuSmart OA/OAP</li> </ul>	<ul style="list-style-type: none"> <li>■ Weight: 15 kg</li> </ul>	<b>0155.35.28</b>
	Grease layer thickness measuring device Multi Control		<ul style="list-style-type: none"> <li>■ To determine the disposal intervals of grease separators</li> <li>■ Suitable for liquid and/or harden fats</li> <li>■ Delineation with colour-touchpanel</li> <li>■ Continuous measure in percent</li> <li>■ With integrated SD-card (4GB) for recording of the measuring process</li> <li>■ With headed sounding stick (temperature is adjustable) to increase the operation safety</li> <li>■ Three free of potential contacts for outoput of pre-alarm (adjustable), full-alarm (adjustable) and error</li> <li>■ Measuring stick with adjusting scale</li> <li>■ Delineation with plug-in cable connection, 3 m</li> <li>■ Service voltage: 100 240VAC 50/60 Hz, 2 A</li> <li>■ Power: ca. 43 W</li> </ul>	



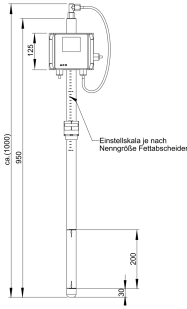
The LipuSmart pump technology can be flexibly **mounted on 3 sides** of the container.

For more information please visit: <https://www.buildingdrainage.aco/products>

Excluding errors and changes.

Infobox

Item number: 3555.76.32  
Version: 25.10.2019  
Page 3 of 4

	Description	Used with	Description	Item number
		LipuJet-P LipuJet-S LipuSmart-P	Weight: 2.7 kg	<b>3300.12.50</b>

You can find further accessories under → <https://www.buildingdrainage.aco/suche/?q=3555.76.32>



The LipuSmart pump technology can be flexibly **mounted on 3 sides** of the container.

For more information please visit: <https://www.buildingdrainage.aco/products>

Excluding errors and changes.

Infobox

Item number: 3555.76.32  
Version: 25.10.2019  
Page 4 of 4