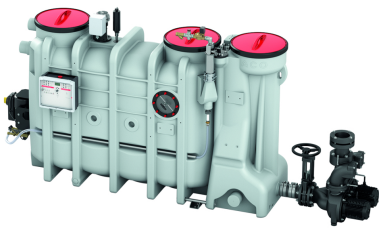


LipuSmart-P-OA Extension stage 3

Product information for the product group



ACO Product benefits

- Integrated backflow protection
- Only one vent stack necessary
- Compact installation dimensions: The pump technology can be flexibly installed on 3 sides
- Innovative overall system control via integration in the building control technology
- 4in1 – complete solution
- Optional Modbus connection
- Structural stability of the container with 25-year stability verification according to German Standard DIN 19901

- Program-controlled, odour-free disposal and cleaning by means of direct suction and hydromechanical internal cleaning
- Disposal connection DN 65, mating flange with Storz coupling 75B and blind connector 2½"
- Fill unit with solenoid valve
- Bluetooth interface (LipuSmart App/Android)

Item Technical Data 3557.76.32

| Nominal capacity | Nominal width | Contents | | | Key data | | | Weight | | Operation side |
|------------------|---------------|-----------------|------------------|-------------|-----------------|---------|--------|------------|-----------|----------------|
| | | Sludge trap [l] | Grease store [l] | Overall [l] | Type | P2 [kW] | To [l] | Empty [kg] | Full [kg] | |
| NS 7 | DN 150 | 800 | 400 | 1600 | Pumpenset 4,0kW | 4 | 235 | 379 | 1979 | Left-hand |



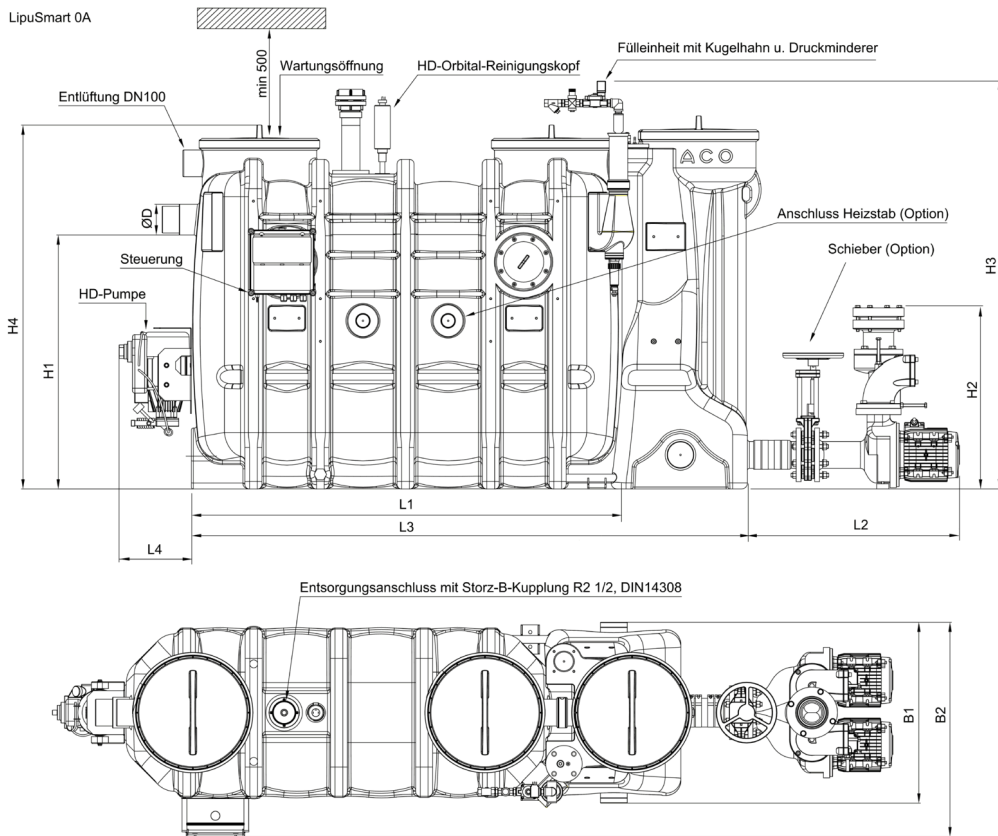
The LipuSmart pump technology can be flexibly **mounted on 3 sides** of the container.

For more information please visit: <https://www.buildingdrainage.aco/products>

Excluding errors and changes.

Infobox

Dimensions



dargestellt:
 NS 4, Bedienungsseite rechts,
 bei Bedienungsseite links sind die Bauteile
 (Entsorgungsanschluss, Füllereinheit,
 Schauglas, Steuerung) zur Mittelachse des
 Abscheiders spiegelbildlich angeordnet.

| Nomi- nal ca- pacity | Dimensions | | | | | | | | | | | | |
|----------------------------|------------|------|------|------|------|------|------|------|------|------|------|------|------|
| | L1 | L2 | L3 | L4 | L5 | H1 | H2 | H3 | H4 | W1 | W2 | B3 | D |
| | [mm] | [mm] | [mm] | [mm] | [mm] | [mm] | [mm] | [mm] | [mm] | [mm] | [mm] | [mm] | [mm] |
| NS 7 | 1960 | 830 | 2487 | 300 | 680 | 1250 | 753 | 1880 | 1700 | 960 | 1130 | 1180 | 160 |



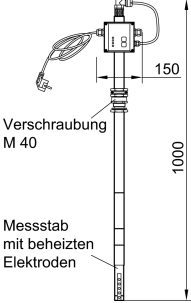
The LipuSmart pump technology can be flexibly **mounted on 3 sides** of the container.

For more information please visit: <https://www.buildingdrainage.aco/products>

Excluding errors and changes.

Infobox

Accessories

| | Description | Used with | Description | Item number |
|---|---|---|---|-------------------|
|  | Grease layer thickness measuring device | <ul style="list-style-type: none"> ■ LipuJet-P <ul style="list-style-type: none"> □ Oval NS 1 – 10 □ Round NS 2 – 20 ■ LipuJet-S <ul style="list-style-type: none"> □ Oval NS 1 – 10 □ Round NS 2 – 20 ■ LipuSmart-P <ul style="list-style-type: none"> □ Oval NS 1 – 10 | <ul style="list-style-type: none"> ■ For electronic measurement of layer of grease ■ Suitable for liquid and/or congealing grease ■ Measuring device with plug and used connecting cable, length: 3 m ■ With two voltage-free changeover contacts to display full warning (80%) and advance warning of fill level (50%) ■ With visual display of fill level ■ With heated probe rod to increase reliability of operation ■ Operating voltage: 230VAC/5 VA ■ Max consumption approx. 12W ■ Weight: 2.8 kg | 3300.11.50 |
| | Heating rod | <ul style="list-style-type: none"> ■ LipuSmart OA/OAP | <ul style="list-style-type: none"> ■ Weight: 15 kg | 0155.35.28 |
| | Grease layer thickness measuring device Multi Control | | <ul style="list-style-type: none"> ■ To determine the disposal intervals of grease separators ■ Suitable for liquid and/or harden fats ■ Delineation with colour-touchpanel ■ Continuous measure in percent ■ With integrated SD-card (4GB) for recording of the measuring process ■ With headed sounding stick (temperature is adjustable) to increase the operation safety ■ Three free of potential contacts for outoput of pre-alarm (adjustable), full-alarm (adjustable) and error ■ Measuring stick with adjusting scale ■ Delineation with plug-in cable connection, 3 m ■ Service voltage: 100 240VAC 50/60 Hz, 2 A ■ Power: ca. 43 W | |



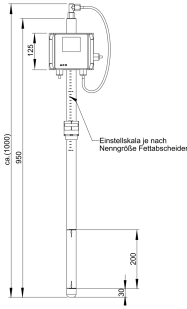
The LipuSmart pump technology can be flexibly **mounted on 3 sides** of the container.

For more information please visit: <https://www.buildingdrainage.aco/products>

Excluding errors and changes.

Infobox

Item number: 3557.76.32
 Version: 25.10.2019
 Page 3 of 4

| | Description | Used with | Description | Item number |
|---|-------------|---------------------------------|----------------|-------------------|
|  | | LipuJet-P LipuJet-S LipuSmart-P | Weight: 2.7 kg | 3300.12.50 |

You can find further accessories under → <https://www.buildingdrainage.aco/suche/?q=3557.76.32>



The LipuSmart pump technology can be flexibly **mounted on 3 sides** of the container.

For more information please visit: <https://www.buildingdrainage.aco/products>

Excluding errors and changes.

Infobox

Item number: 3557.76.32
Version: 25.10.2019
Page 4 of 4