

**LipuSmart-P-OD Extension stage 1**

**Product information for the product group**



**ACO Product benefits**

- Integrated backflow protection
  - Only one vent stack necessary
  - Compact installation dimensions: The pump technology can be flexibly installed on 3 sides
  - Innovative overall system control via integration in the building control technology
  - 4in1 – complete solution
  - Optional Modbus connection
  - Structural stability of the container with 25-year stability verification according to German Standard DIN 19901
- Odour-free disposal via the connection for direct suction
  - After-cleaning by opening the cover (connected with low odour generation)
  - Disposal connection DN 65, mating flange with Storz coupling 75B and blind connector 2½"

**Item Technical Data 3555.66.00**

Nominal capacity	Nominal width	Contents			Key data			Weight	
		Sludge trap	Grease store	Overall	Type	P2	To	Empty	Full
		[l]	[l]	[l]		[kW]	[l]	[kg]	[kg]
NS 5.5	DN 150	725	360	1430	Pumpenset 4,0kW	4	235	328	1758



The LipuSmart pump technology can be flexibly **mounted on 3 sides** of the container.

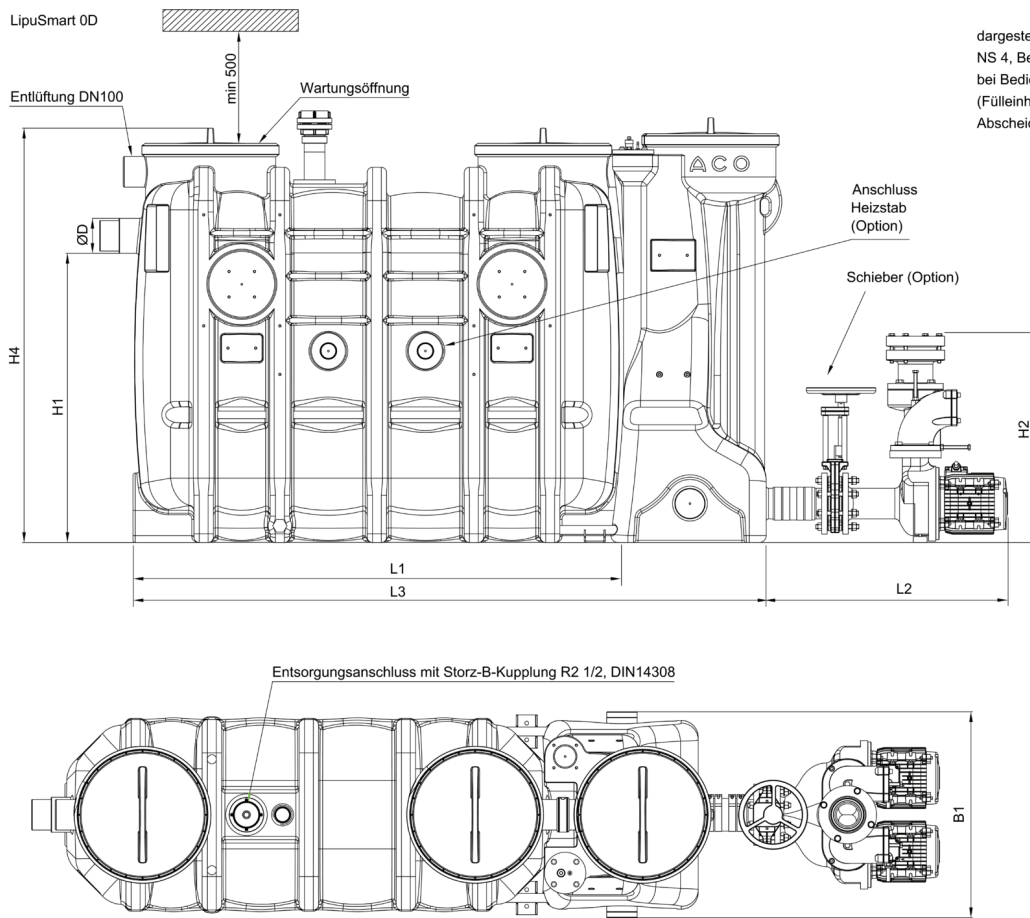
For more information please visit: <https://www.buildingdrainage.aco/products>

Excluding errors and changes.

Infobox

Item number: 3555.66.00  
Version: 18.06.2019  
Page 1 of 4

## Dimensions



dargestellt:  
 NS 4, Bedienungsseite rechts,  
 bei Bedienungsseite links sind die Bauteile  
 (Füllereinheit, Schauglas) zur Mittelachse des  
 Abscheiders spiegelbildlich angeordnet.

Nomi- nal ca- pacity	Dimensions												
	L1	L2	L3	L4	L5	H1	H2	H3	H4	W1	W2	B3	D
	[mm]	[mm]	[mm]	[mm]	[mm]	[mm]	[mm]	[mm]	[mm]	[mm]	[mm]	[mm]	[mm]
NS 5.5	1760	835	2287	300	680	1250	753	1880	1700	960	1130	1180	160



The LipuSmart pump technology can be flexibly **mounted on 3 sides** of the container.

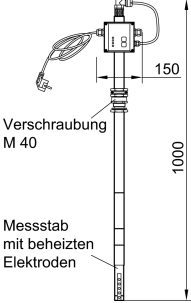
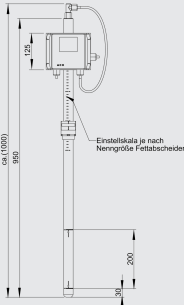
For more information please visit: <https://www.buildingdrainage.aco/products>

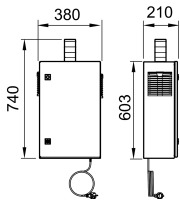
Excluding errors and changes.

Infobox

Item number: 3555.66.00  
 Version: 18.06.2019  
 Page 2 of 4

## Accessories

	Description	Used with	Description	Item number
	Grease layer thickness measuring device	<ul style="list-style-type: none"> <li>■ LipuJet-P <ul style="list-style-type: none"> <li>□ Oval NS 1 – 10</li> <li>□ Round NS 2 – 20</li> </ul> </li> <li>■ LipuJet-S <ul style="list-style-type: none"> <li>□ Oval NS 1 – 10</li> <li>□ Round NS 2 – 20</li> </ul> </li> <li>■ LipuSmart-P <ul style="list-style-type: none"> <li>□ Oval NS 1 – 10</li> </ul> </li> </ul>	<ul style="list-style-type: none"> <li>■ For electronic measurement of layer of grease</li> <li>■ Suitable for liquid and/or congealing grease</li> <li>■ Measuring device with plug and used connecting cable, length: 3 m</li> <li>■ With two voltage-free changeover contacts to display full warning (80%) and advance warning of fill level (50%)</li> <li>■ With visual display of fill level</li> <li>■ With heated probe rod to increase reliability of operation</li> <li>■ Operating voltage: 230VAC/5 VA</li> <li>■ Max consumption approx. 12W</li> <li>■ Weight: 2.8 kg</li> </ul>	<b>3300.11.50</b>
	Grease layer thickness measuring device Multi Control		<ul style="list-style-type: none"> <li>■ To determine the disposal intervals of grease separators</li> <li>■ Suitable for liquid and/or hardened fats</li> <li>■ Delineation with colour-touchpanel</li> <li>■ Continuous measure in percent</li> <li>■ With integrated SD-card (4GB) for recording of the measuring process</li> <li>■ With headed sounding stick (temperature is adjustable) to increase the operation safety</li> <li>■ Three free of potential contacts for output of pre-alarm (adjustable), full-alarm (adjustable) and error</li> <li>■ Measuring stick with adjusting scale</li> <li>■ Delineation with plug-in cable connection, 3 m</li> <li>■ Service voltage: 100 240VAC 50/60 Hz, 2 A</li> <li>■ Power: ca. 43 W</li> </ul>	
		LipuJet-P LipuJet-S LipuSmart-P	Weight: 2.7 kg	<b>3300.12.50</b>

	Description	Used with	Description	Item number
	Smell neutralisation	<ul style="list-style-type: none"> <li>■ Grease separators (incl. external makes)</li> </ul>	<ul style="list-style-type: none"> <li>■ Lockable control cabinet <ul style="list-style-type: none"> <li>□ From stainless steel, material grade 304</li> <li>□ Ground surface</li> <li>□ With side ventilation slots</li> </ul> </li> <li>■ Integrated timer</li> <li>■ Incl. odour neutralisers: 9 l</li> <li>■ With dosing pump for reliable discharge</li> <li>■ Chemical resistant dosing hose</li> <li>■ Signal column for status monitoring</li> <li>■ PG gland for on-site connection</li> <li>■ Control cabinet dimensions: 380 x 600 x 210 mm (W x H x D)</li> <li>■ System ready to plug in <ul style="list-style-type: none"> <li>□ Incl. cable: 1.5 m</li> </ul> </li> <li>■ 230 V socket to be produced on-site</li> <li>■ Weight: 36.2 kg</li> </ul>	<b>7980.80.00</b>

You can find further accessories under → <https://www.buildingdrainage.aco/suche/?q=3555.66.00>